



Specification For Approval

AC Blower

Model: KMR2A28071HB-Y

Version: A01

Approval	Checked	Editor
Taylor Chen	Zheng	Tom

Customer		
Customer recognition	Acceptance	Approval

DATA SHEET

Model : KMR2A28071HB-Y

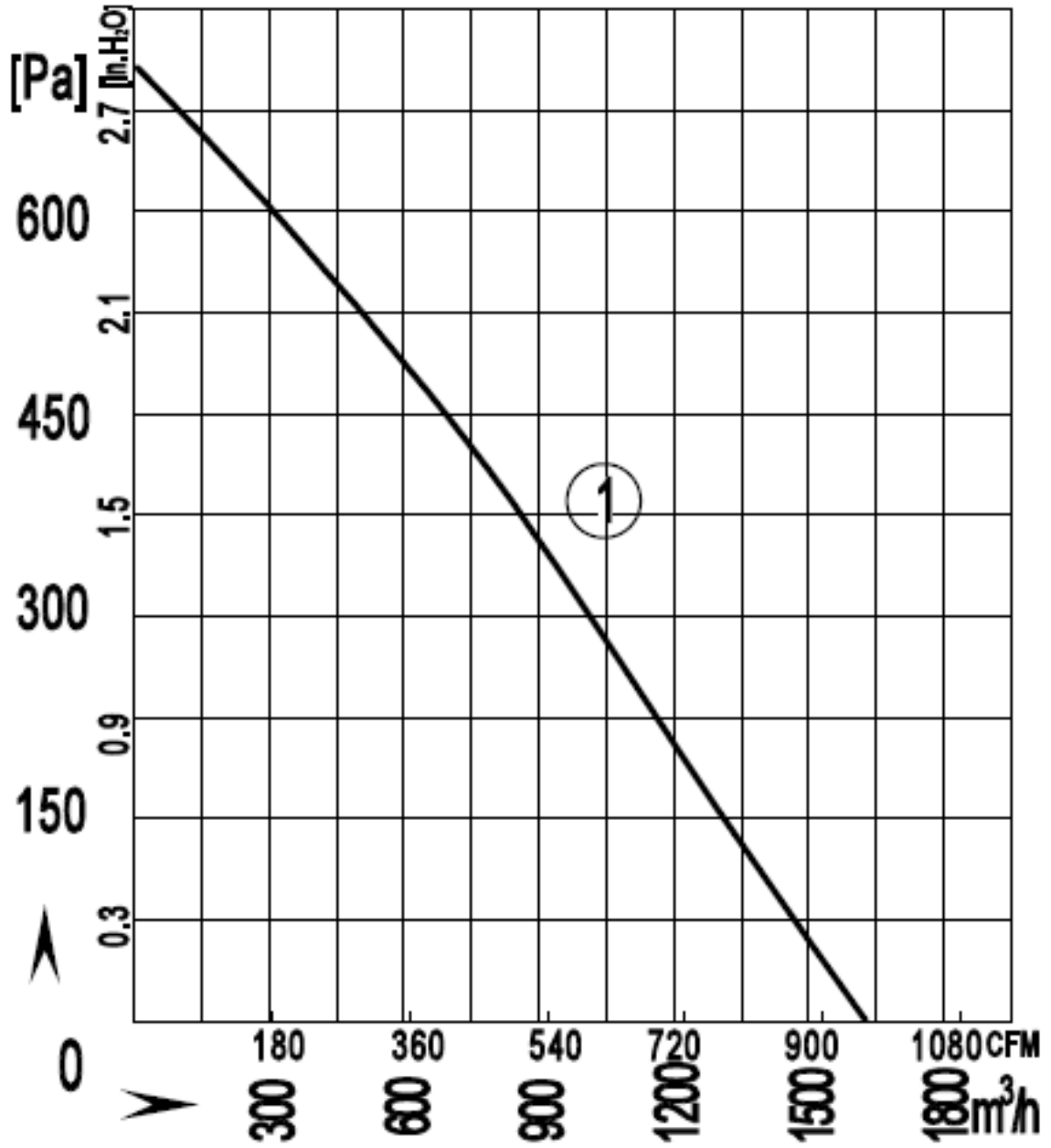
Customer P/N:

Safety:

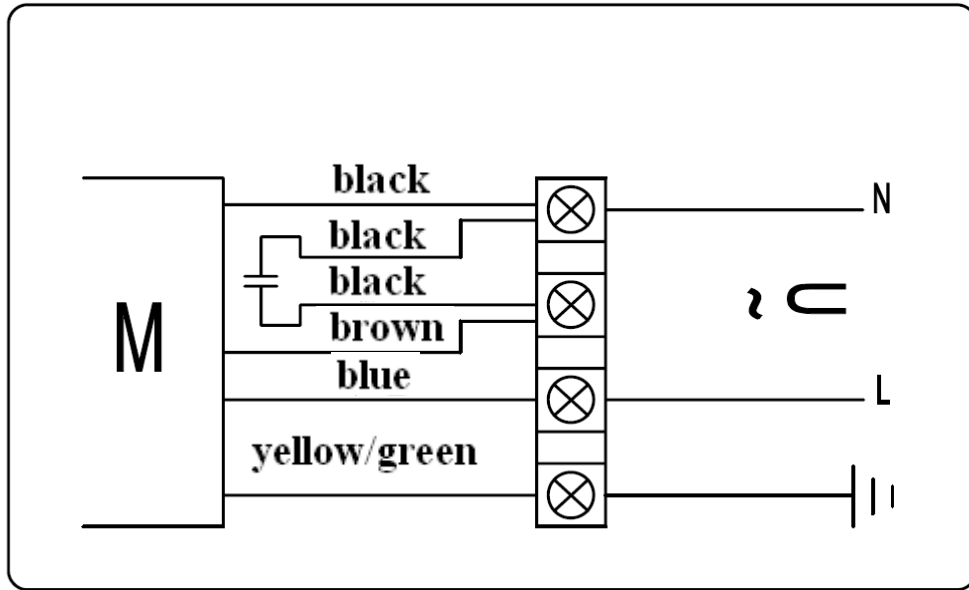
SPECIFICATION

1. Dimension	Ø 281x106.5 mm
2. Bearing System	2 Ball Bearing
3. Rated Voltage	220 VAC 50Hz
4. Operating Voltage	198~242 VAC
5. Starting Voltage	220 VAC
6. Capacitance	6 µF/500V
7. Input Current	1.1 A
8. Input Power	230 W
9. Rated Speed	2450±5% RPM
10. Rotation	Clockwise, seen on rotor
11. Air Flow	1650 m³/h
12. Static Air Pressure	700 Pa
13. Noise Level	78 dB(A)
14. Lead Wire	Variable
15. Connector	NO
16. Ambient temperature	-30~60°C
17. Life Expectance	30,000 hours continuous operating at 20°C
18. Insulation class	"F"
19. Type of protection	IP44
20. Number of blades	11
21. Dielectric Strength	1800VAC,60Hz, 1 min, Leakage current ≤2.0mA
22. Net Weight	2.9 KG
23. Packing	Corrugated carton, pcs/carton

PERFORMANCE CURVES



Connection methods



Product Outline

