



Specification For Approval

EC-AC Brushless Impeller

Model: KMR2A280198HB-Y SN:102-3P-00

Version: A01

Approval	Checked	Editor
Taylor Chen	Zheng	Tom

Customer		
Customer recognition	Acceptance	Approval

DATA SHEET

Model : KMR2A280198HB-Y

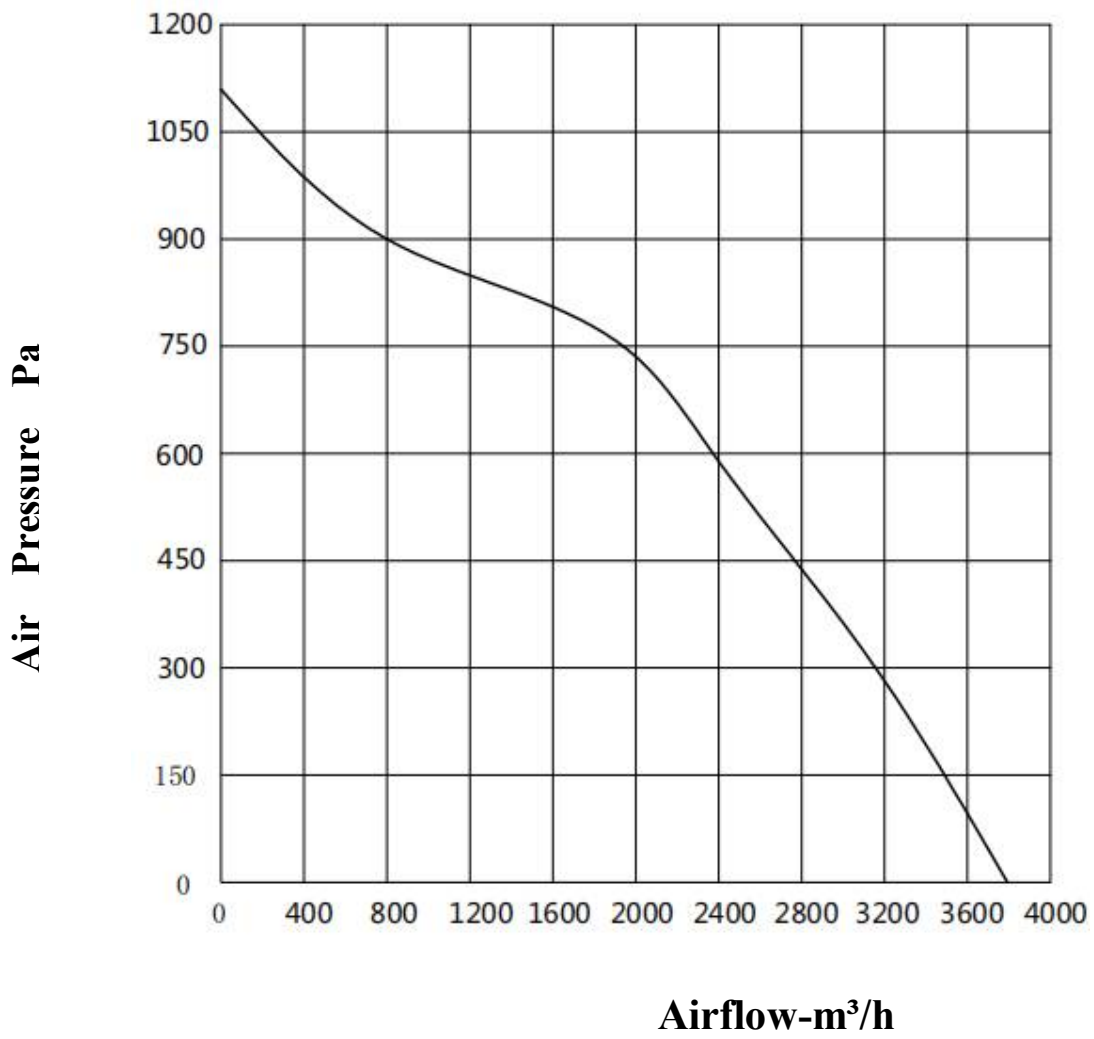
Customer P/N:

Safety:

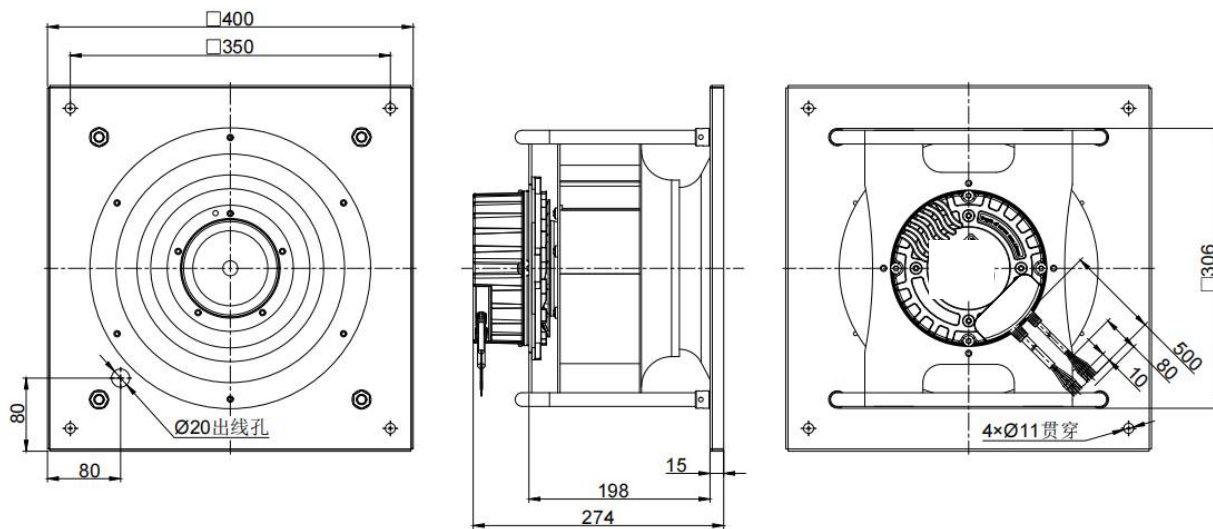
SPECIFICATION

1. Dimension	400* 400*274 mm
2. Bearing System	2 Ball Bearing
3. Rated Voltage	230 VAC 50/60 Hz
4. Operating Voltage	184~276 VAC
5. Starting Voltage	184VAC
6. Input Current	3.1 A
7. Input Power	700 W
8. Rated Speed	3270±5% RPM
9. Rotation	Clockwise, seen on rotor
10. Air Flow	3800 m ³ /h
11. Static Air Pressure	1100 Pa
12. Soft Start	Yes
13. Speed Control	PWM or 0~10VDC
14. Tachometer Output	Open collector, 5 Pulses/Rev
15. Auto Restart	Yes
16. Alarm Output	No
17. Noise Level	85 dB(A)
18. Lead Wire	RVP L=500±20 mm
19. Connector	N/A
20. Ambient temperature	-25~60° C
21. Life Expectance	50,000 hours continuous operating at 40° C
22. Insulation class	"B"
23. Operation mode	Continuous operation (S1)
24. Type of protection	IP55
25. Number of blades	8 blades
26. Dielectric Strength	1500VAC/60Hz, 1 min, Leakage current ≤5.0 mA
27. Net Weight	8500 g
28. Packing	Corrugated carton, pcs/carton

PERFORMANCE CURVES



Outline Drawing



Wiring Diagram

Line	Connection		Colour	Function
Power Line		PE	Green Yellow	Protective Earth
	U1	L	Brown	Live Wire
	U2	N	Black	Neutral Wire
	U3	NC	White	Normally Closed Switch、Circuit Breaker
	U4	COM	Gray	Common Po
Control Line	U5	RSA	Brown	RS485 Port
	U6	RSB	Gray	RS485 Port
	U7	Speed Control	Yellow	0~10V & PWM Compatible Line
	U8	Signal Feedback	White	RPM Output Signal Line
	U9	+10V	Red	Control Power line
	U10	GND	Blue	GND

Power Line

Control Line

