



Specification For Approval

AC Impeller

Model: KMR2A22589HB-Y

Version: AOI

Approval	Checked	Editor
Taylor Chen	Zheng	Tom

Customer		
Customer recognition	Acceptance	Approval

DATA SHEET

Model: KMR2A22589HB-Y

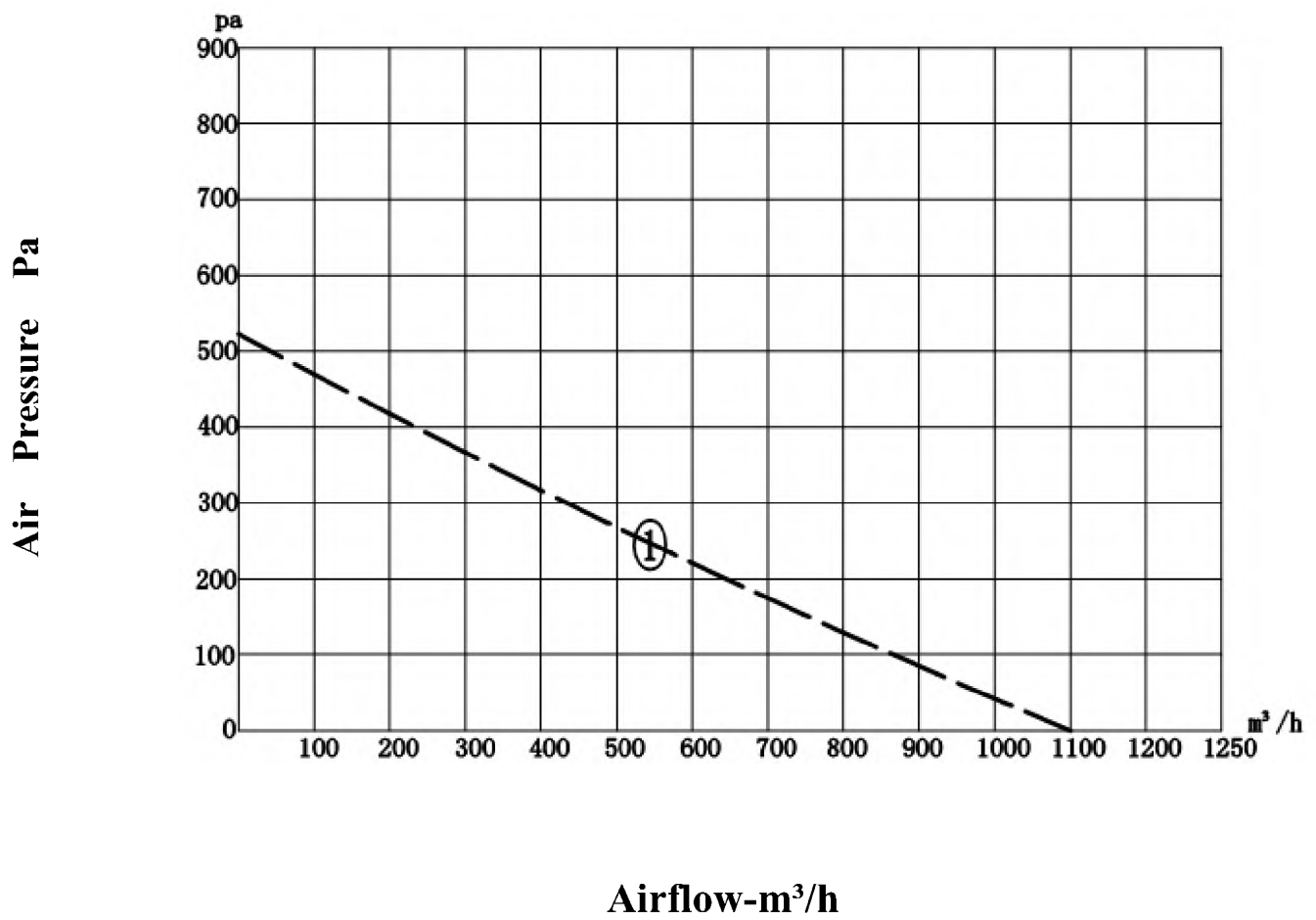
Customer P/N:

Safety:

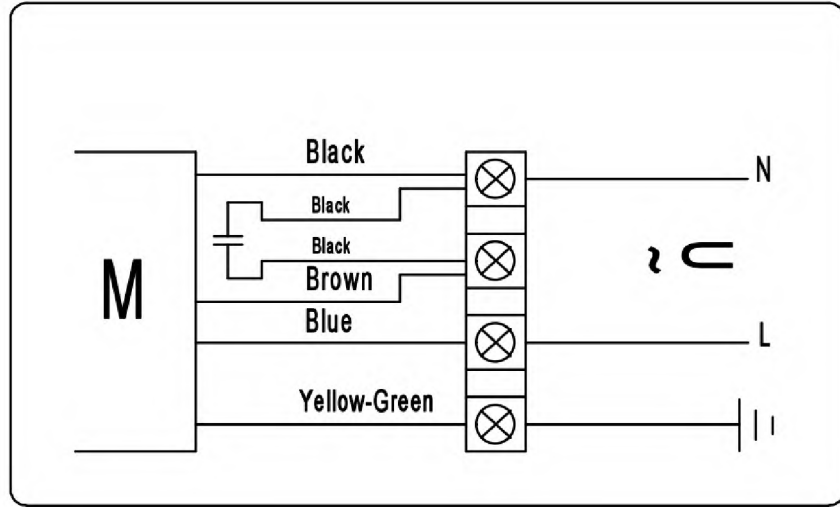
SPECIFICATION

1. Dimension	Φ225*97 mm
2. Bearing System	2 Ball Bearing
3. Rated Voltage	220VAC 50Hz
4. Operating Voltage	198~242VAC
5. Starting Voltage	198VAC
6. Capacitance	4uF,500VAC
7. Input Current	0.6A
8. Input Power	135W
9. Rated Speed	2600±5% RPM
10. Rotation	Clockwise, seen on rotor
11. Air Flow	1100 m ³ /h
12. Static Air Pressure	530Pa
13. Noise Level	70dB(A)
14. Lead Wire	RVVP L=450 mm
15. Connector	N/A
16. Ambient temperature	-30~60℃
17. Life Expectance	>30,000 hours continuous operating at 20℃
18. Insulation class	"F"
19. Type of protection	IP44
20. Number of blades	7
21. Dielectric Strength	1800VAC/60Hz, 1 min, Leakage current ≤2.0mA
22. Net Weight	2480g
23. Packing	Corrugated carton, pcs/carton

PERFORMANCE CURVES



Wiring diagram



Product outline(unit:mm)

