



# Specification For Approval

## EC-AC Brushless Impeller

**Model: KMR2A19044HB-Y**

**SN:72-3P-00**

**Version: A01**

<b>Approval</b>	<b>Checked</b>	<b>Editor</b>
<b>Taylor Chen</b>	<b>Zheng</b>	<b>Tom</b>

<b>Customer</b>		
<b>Customer recognition</b>	<b>Acceptance</b>	<b>Approval</b>



## DATA SHEET

Model : KMR2A19044HB-Y

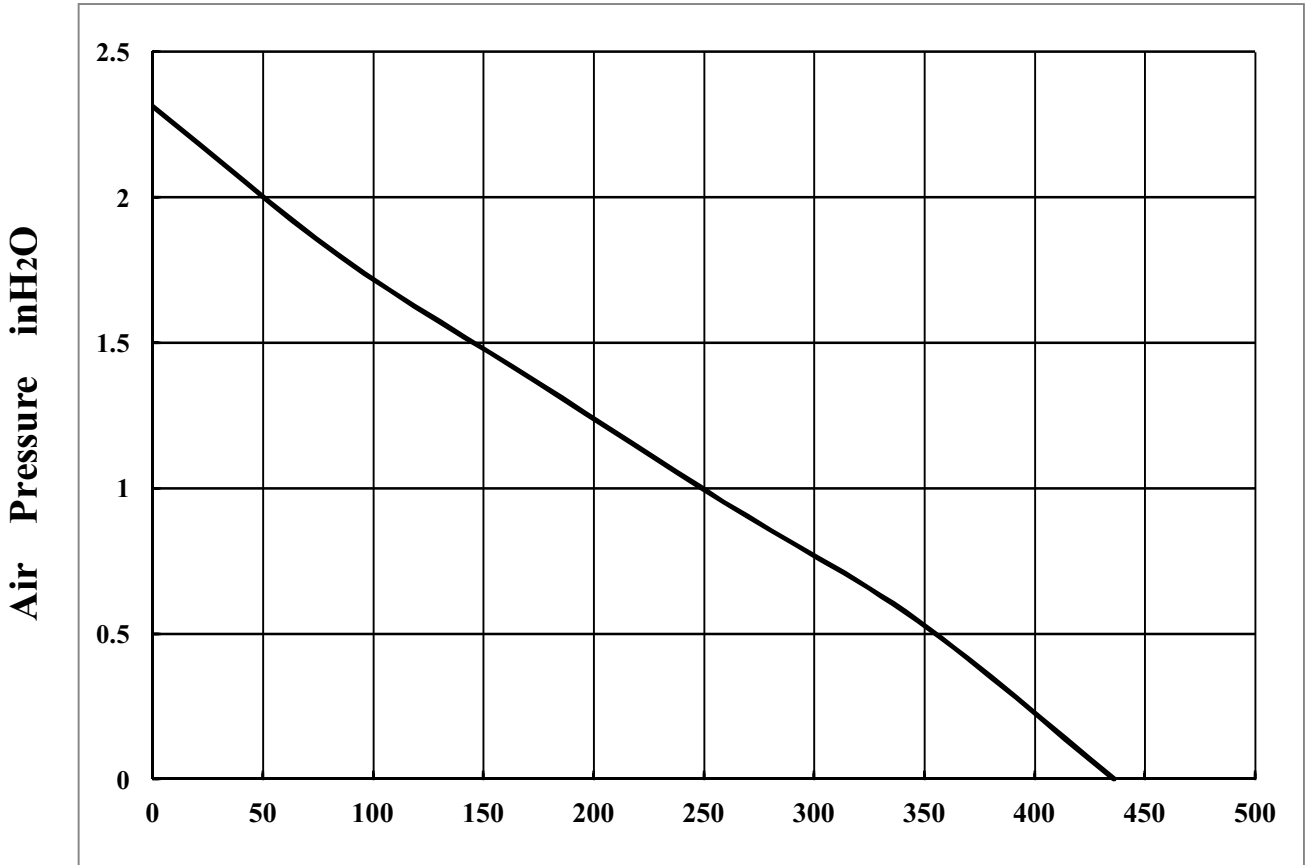
Customer P/N:

Safety: CE

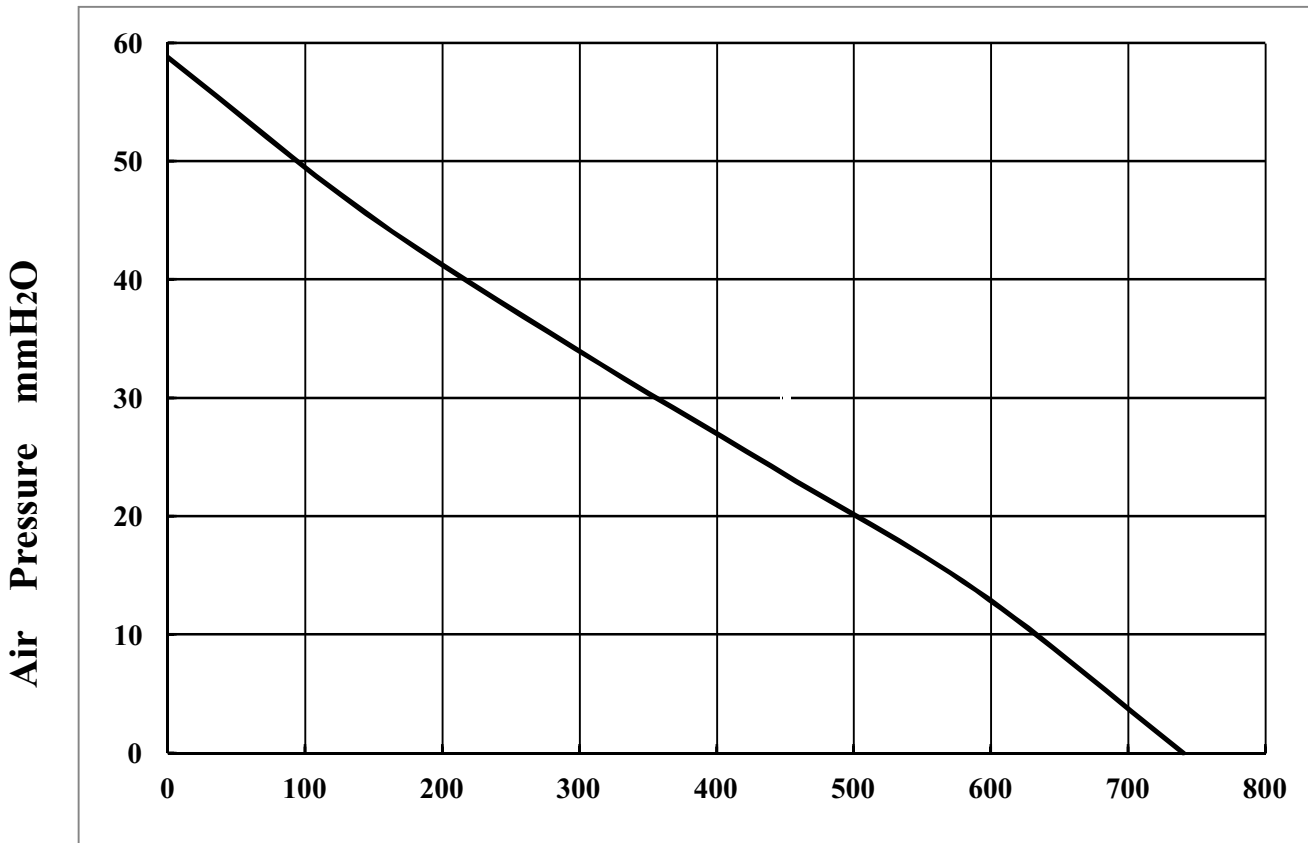
### SPECIFICATION

1. Dimension	Φ190X95.0 mm
2. Bearing System	2 Ball Bearing
3. Rated Voltage	230 VAC 50/60 Hz
4. Operating Voltage	184~265 VAC
5. Starting Voltage	184 VAC
6. Input Current	0.8 A
7. Input Power	97 W
8. Rated Speed	3500±5% RPM
9. Rotation	Clockwise, seen on rotor
10. Air Flow	436.1 CFM (740.6 m <sup>3</sup> /h)
11. Static Air Pressure	2.3 inH <sub>2</sub> O (58.7 mmH <sub>2</sub> O)
12. Soft Start	Yes
13. Speed Control	PWM or 0~10VDC
14. Tachometer Output	Open collector, 2 Pulses/Rev
15. Auto Restart	Yes
16. Alarm Output	No
17. Noise Level	71.5 dB(A)
18. Lead Wire	RVP 3*L=500mm RVP 4*L=500mm
19. Connector	No
20. Ambient temperature	-20~60° C
21. Life Expectance	50,000 hours continuous operating at 40° C
22. Insulation class	"B"
23. Operation mode	Continuous operation (S1)
24. Type of protection	IP44
25. Number of blades	One piece wheel (7blades)
26. Dielectric Strength	1500VAC/60Hz, 1 min, Leakage current ≤3.5mA
27. Net Weight	1300g
28. Packing	Corrugated carton, pcs/carton

# PERFORMANCE CURVES

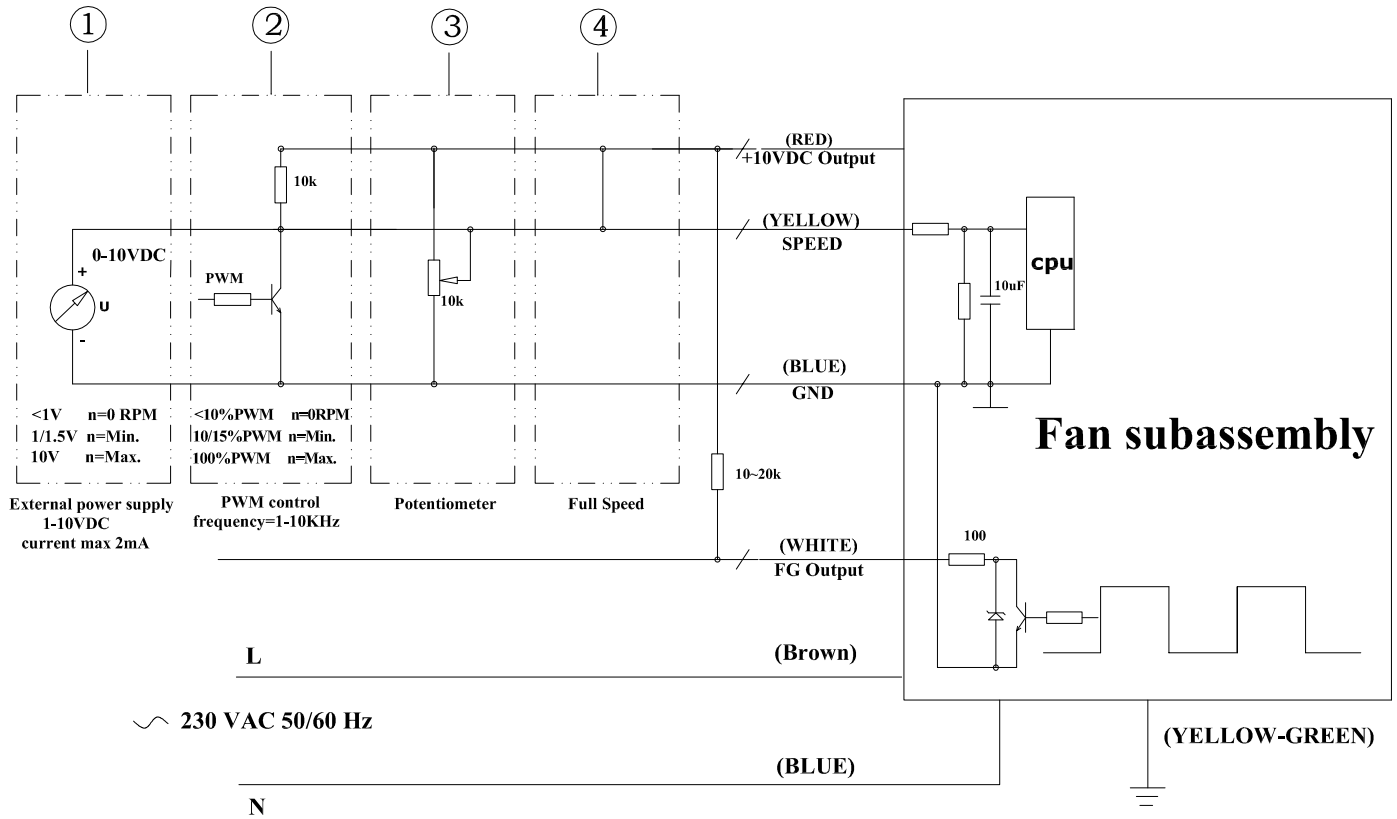


Airflow-CFM

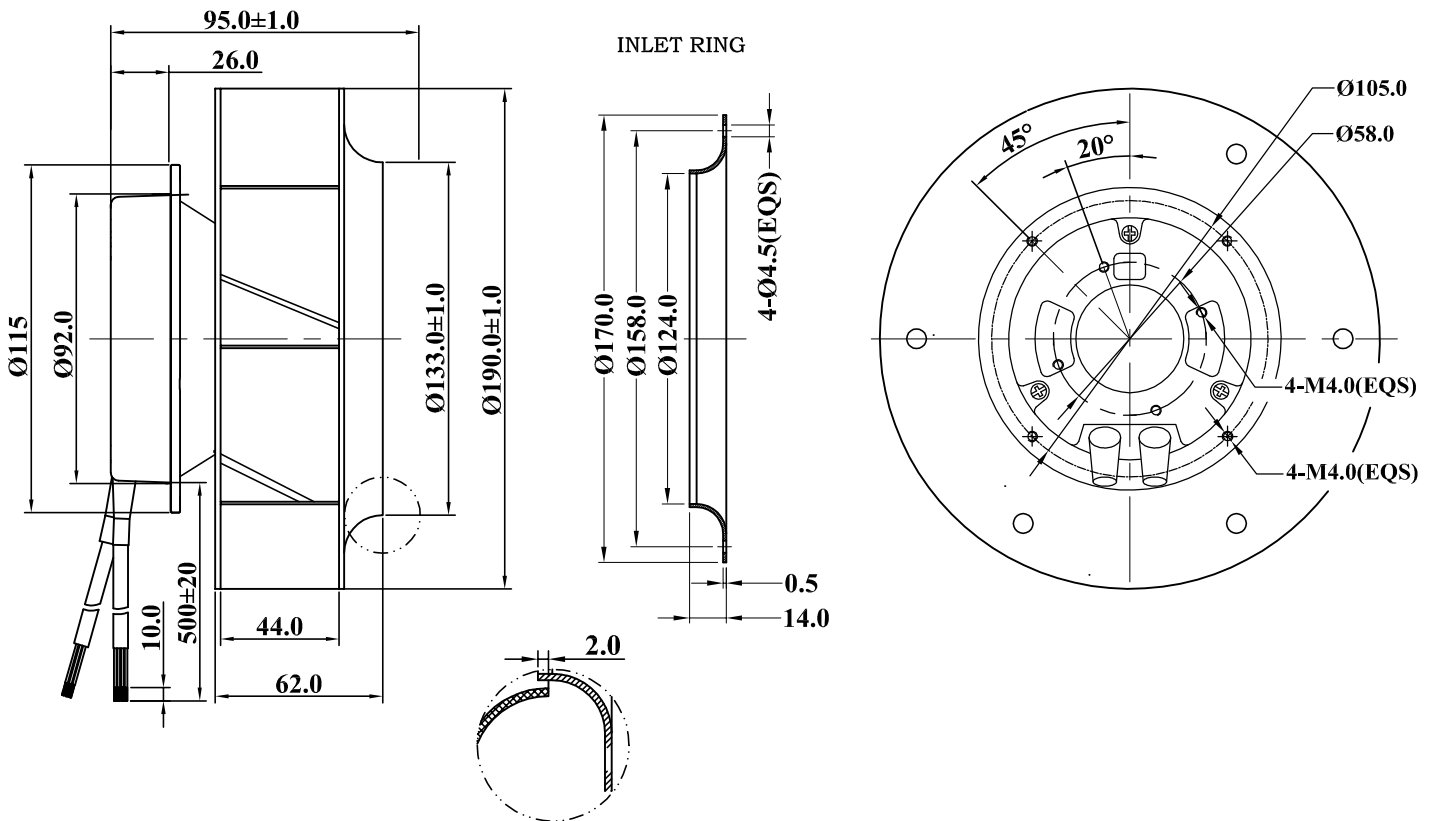


Airflow-m<sup>3</sup>/h

# EC Connection methods



## Product Outline (unit:mm)



Note:

1. The Inlet Ring not included in the standard scope of delivery. According to the sales order to determine whether equipped with.