



Specification For Approval

AC Impeller

Model: KMR2A17563HB-Y

Version: A01

Approval	Checked	Editor
Taylor Chen	Zheng	Tom

Customer		
Customer recognition	Acceptance	Approval

DATA SHEET

Model : KMR2A17563HB-Y

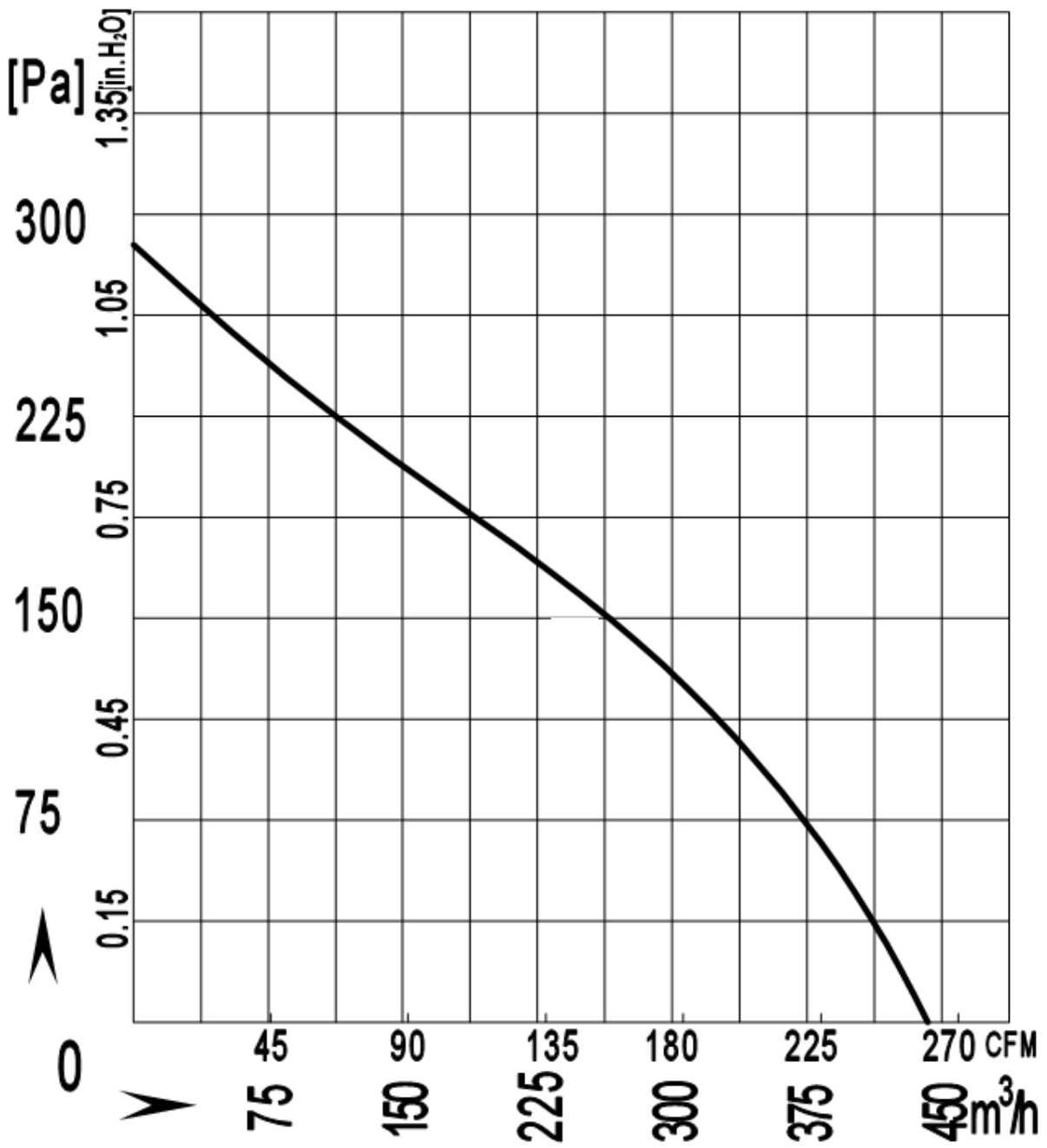
Customer P/N:

Safety:

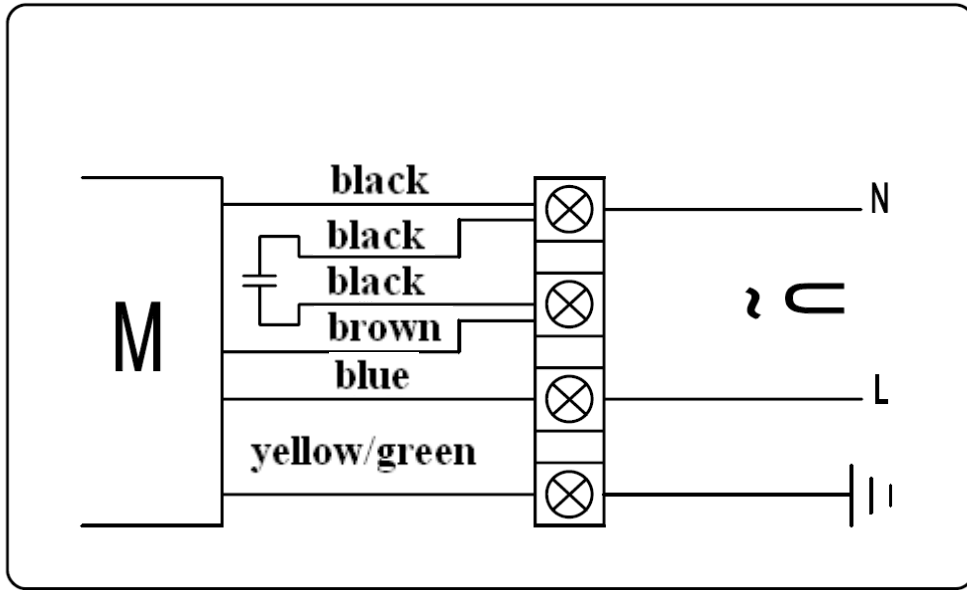
SPECIFICATION

1. Dimension	ϕ 175x68.5 mm
2. Bearing System	2 Ball Bearing
3. Rated Voltage	220 AC 50Hz
4. Operating Voltage	198~242VAC
5. Starting Voltage	198VAC
6. Capacitance	1.5 μ F/500 VAC
7. Input Current	0.24 A
8. Input Power	52 W
9. Rated Speed	2500 \pm 5% RPM
10. Rotation	Clockwise, seen on rotor
11. Air Flow	430 CFM
12. Static Air Pressure	290 Pa
13. Noise Level	64 dB(A)
14. Lead Wire	RVVP L=1000 \pm 20mm
15. Connector	NO
16. Ambient temperature	-30~+60°C
17. Life Expectance	30,000 hours continuous operating at 20°C
18. Insulation class	"F"
19. Type of protection	IP44
20. Number of blades	7
21. Dielectric Strength	1800VAC,60Hz, 1 min, Leakage current \leq 2.0mA
22. Net Weight	1200g
23. Packing	Corrugated carton, pcs /carton

PERFORMANCE CURVES



Connection methods



Product Outline

