



**Specification For Approval**  
**DC Brushless Impeller**

**Model: KMR2422063HB-Y**

**SN:92-1-00**

**Version: AOI**

<b>Approval</b>	<b>Checked</b>	<b>Editor</b>
<b>Taylor Chen</b>	<b>Zheng</b>	<b>Tom</b>

<b>Customer</b>		
<b>Customer recognition</b>	<b>Acceptance</b>	<b>Approval</b>

## DATA SHEET

Model: KMR2422063HB-Y

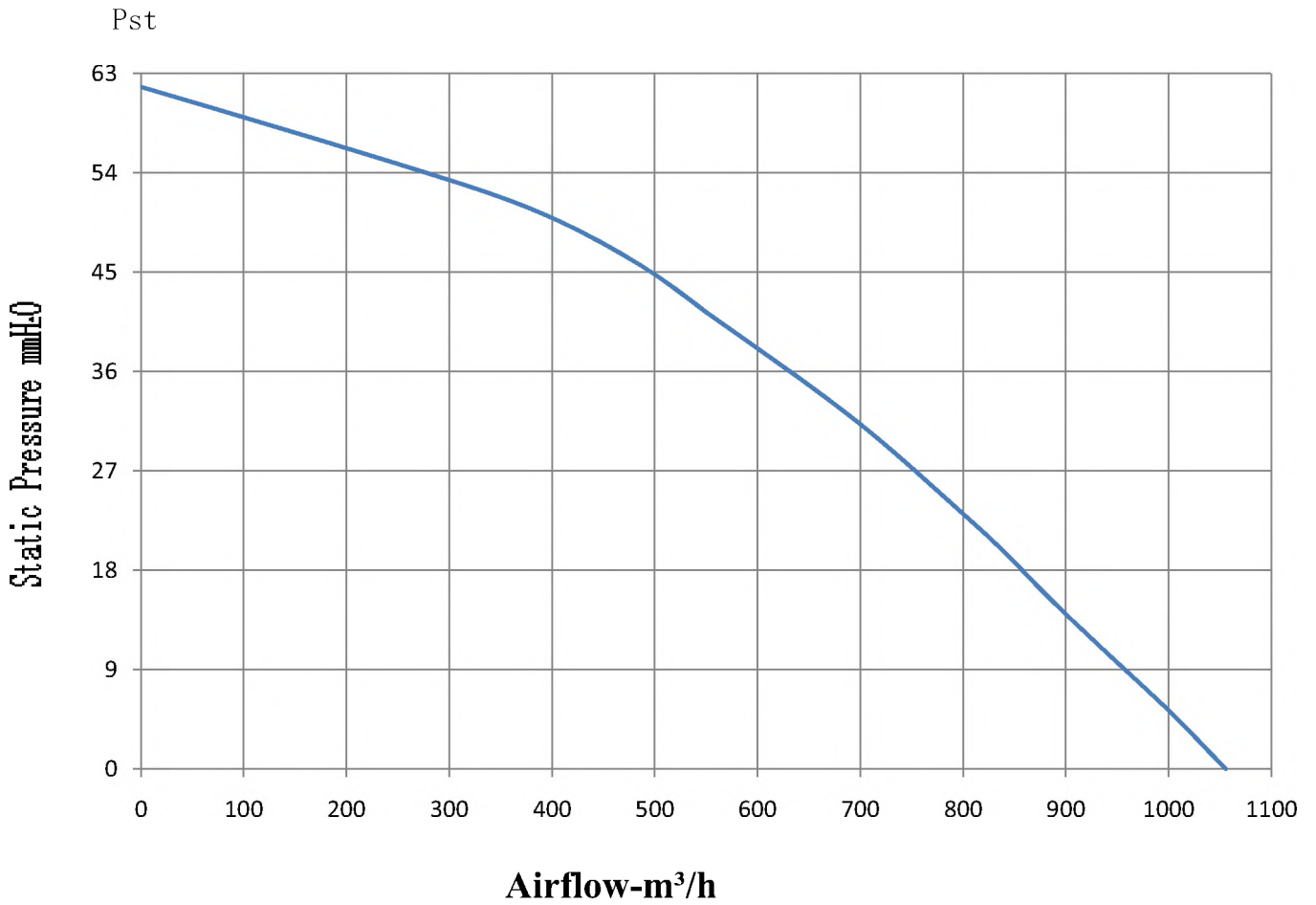
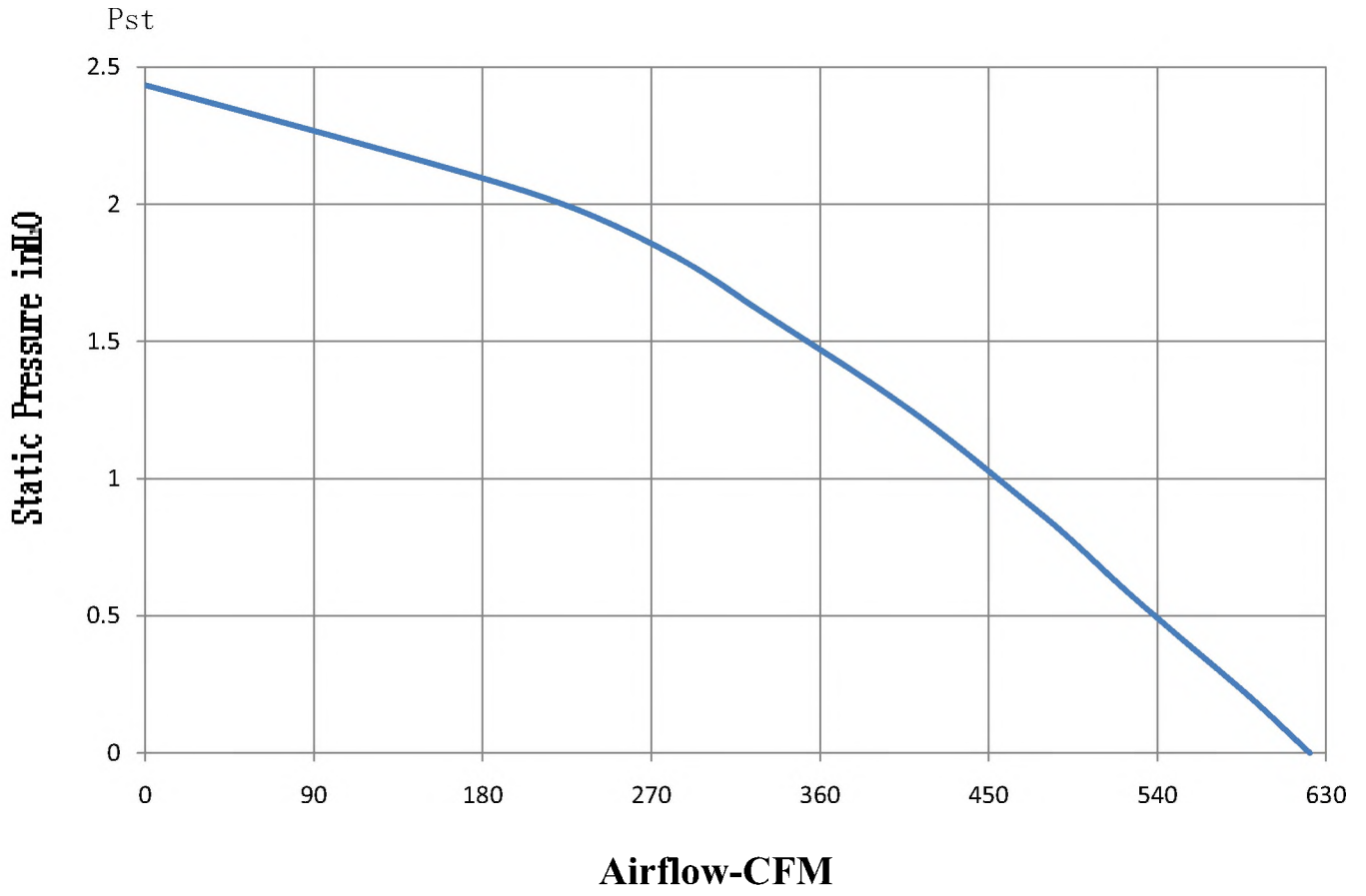
Customer P/N:

Safety: UL E306337

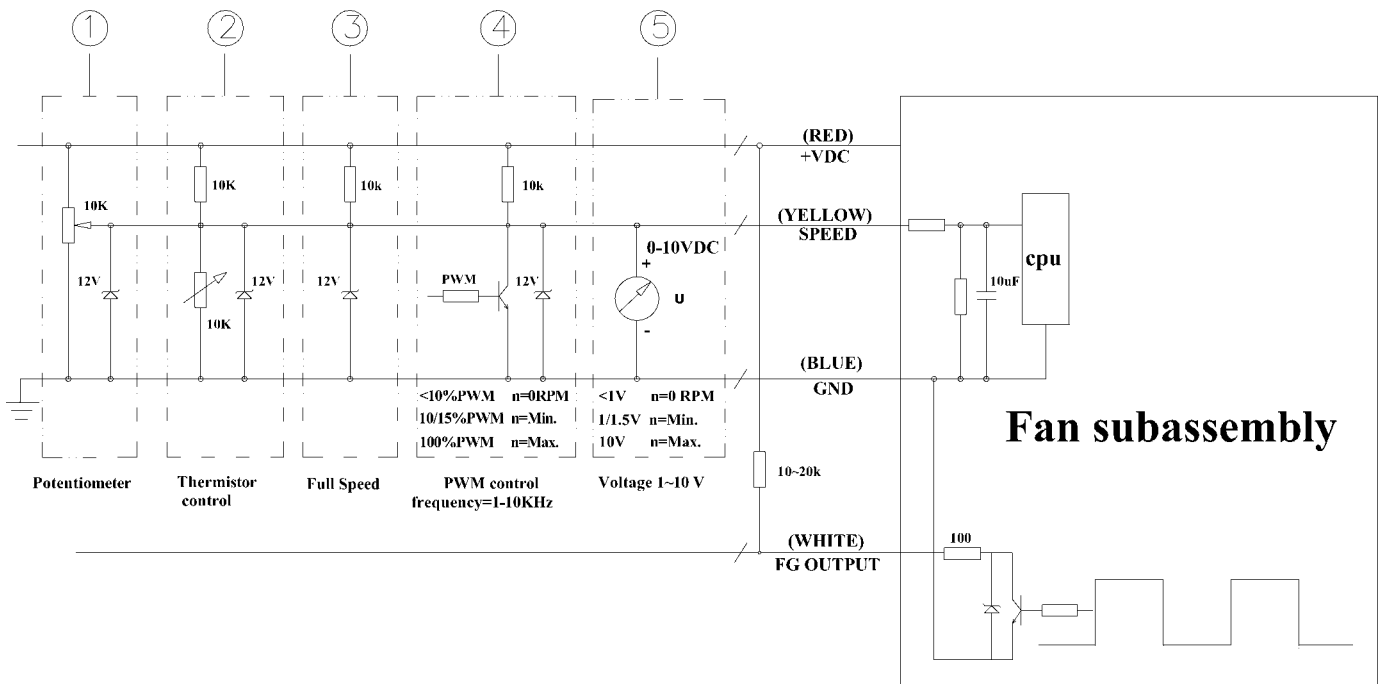
### SPECIFICATION

1. Dimension	Ø220*71.0 mm
2. Bearing System	2 Ball Bearing
3. Rated Voltage	24 VDC
4. Operating Voltage	16~28 VDC
5. Starting Voltage	16 VDC
6. Input Current	5.5 A
7. Input Power	132.0 W
8. Rated Speed	3200±5% RPM
9. Rotation	Clockwise, seen on rotor
10. Air Flow	621.3 CFM (1055.5 m <sup>3</sup> /h)
11. Static Air Pressure	2.43 inH <sub>2</sub> O (61.79 mm H <sub>2</sub> O)
12. Soft Start	Yes
13. Speed Control	PWM or 0~10VDC
14. Tachometer Output	Open collector, 3 Pulses/Rev
15. Auto Restart	Yes
16. Alarm Output	No
17. Noise Level	71 dB(A)
18. Lead Wire	UL2464, AWG18#, L=500 mm
19. Connector	No
20. Ambient temperature	-20~60℃
21. Life Expectance	50,000 hours continuous operating at 40℃
22. Insulation class	"B"
23. Operation mode	Continuous operation (S1)
24. Type of protection	IP 42
25. Type of wheel	One piece wheel (11 blades)
26. Dielectric Strength	500VAC/60Hz, 1 min, Leakage current ≤5.0mA
27. Net Weight	1400g
28. Packing	Corrugated carton, 4 pcs/carton

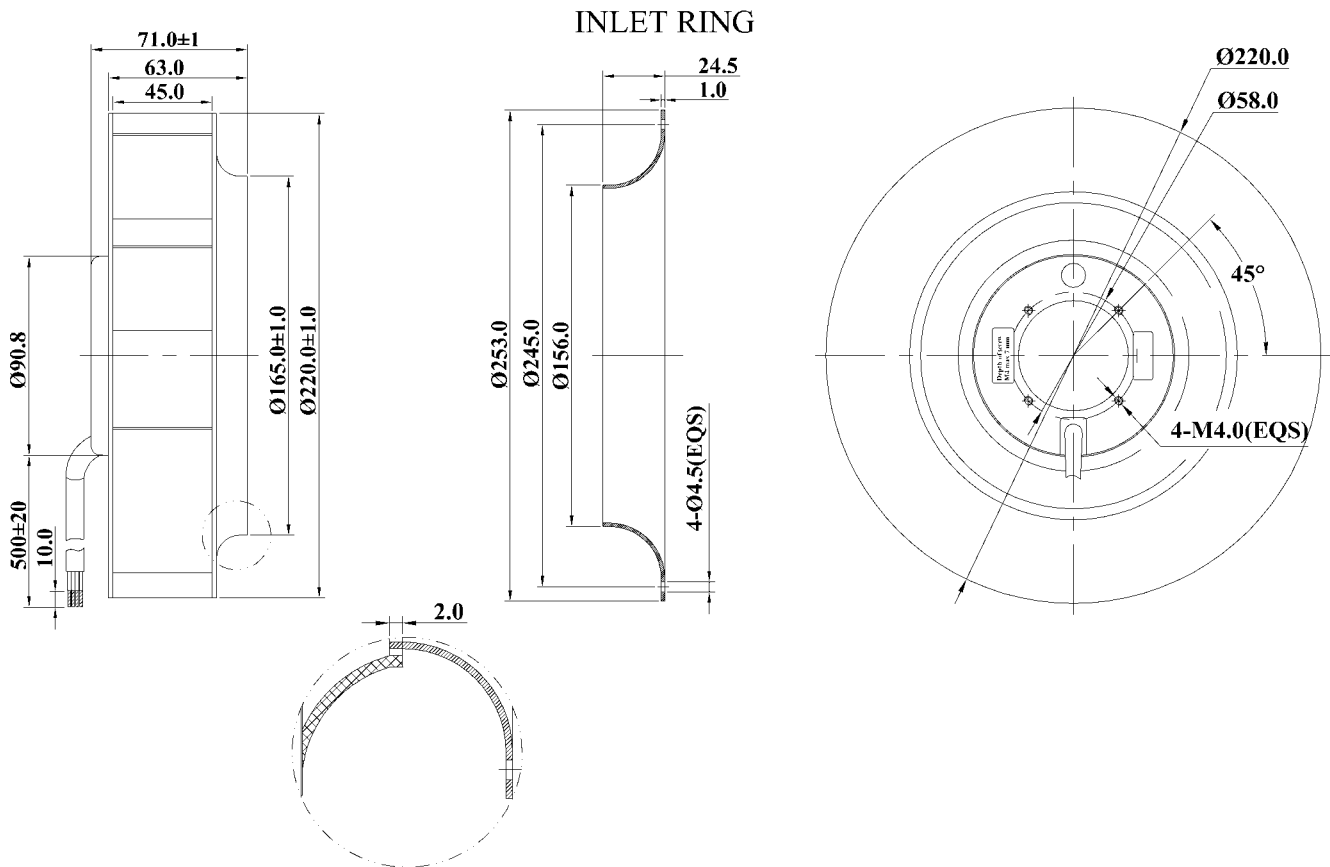
# PERFORMANCE CURVES



# DC Connection methods



## Product Outline (unit:mm)



Note:

1. Above outside circuit connecting sketches are the five kinds of most common speed control circuits;
2. The Inlet Ring not included in the standard scope of delivery.According to the sales order to determine whether equipped with.