



Specification For Approval

AC Impeller

Model: KMI4A500202UB2

Version: A01

Approval	Checked	Editor
Taylor Chen	Zheng	Tom

Customer		
Customer recognition	Acceptance	Approval

DATA SHEET

Model : KMI4A500202UB2

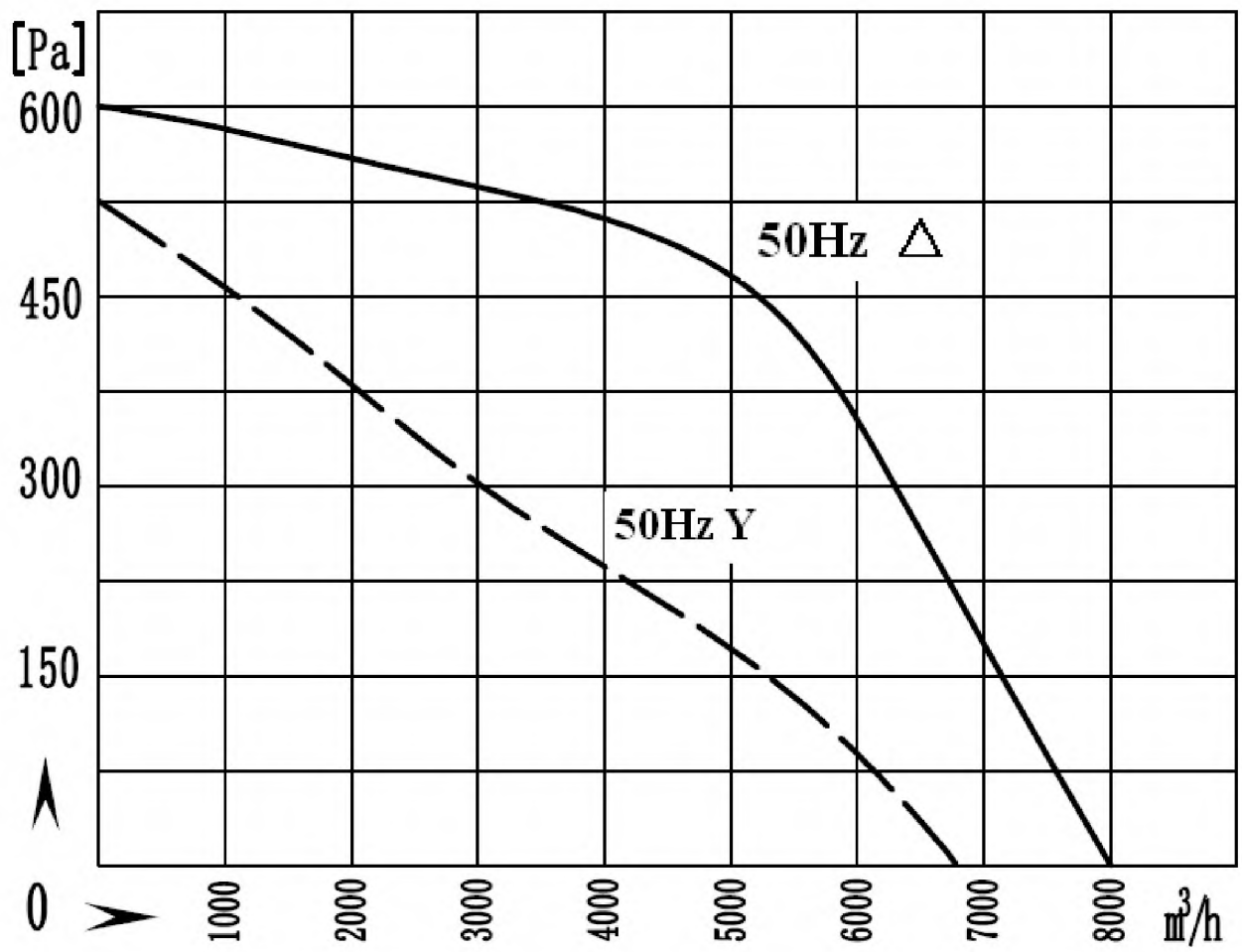
Customer P/N:

Safety:

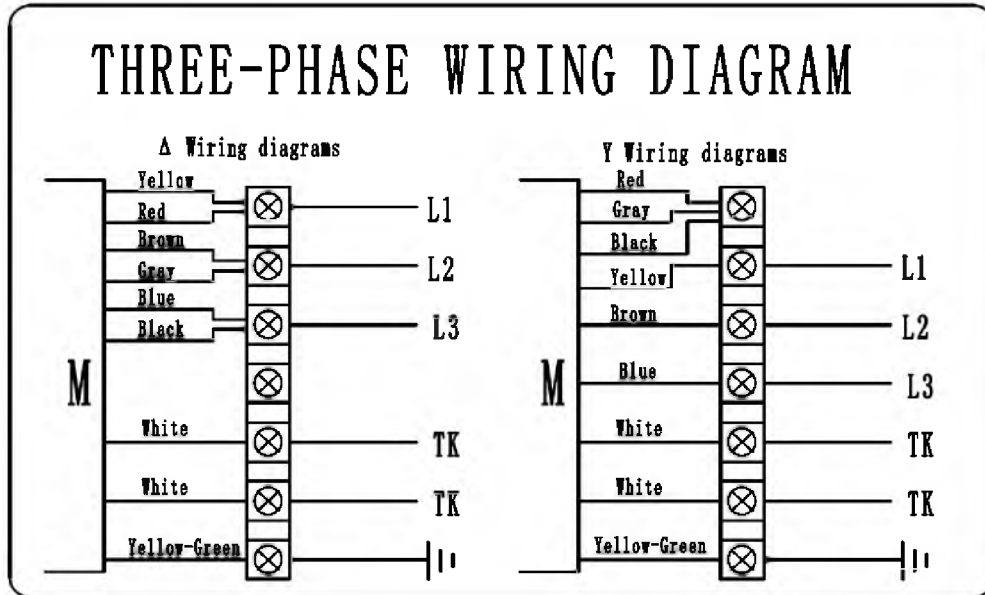
SPECIFICATION

1. Dimension	Ø510*309 mm
2. Bearing System	2 Ball Bearing
3. Rated Voltage	380 VAC 50 Hz△/50 Hz Y
4. Operating Voltage	342~420 VAC
5. Starting Voltage	342 VAC
6. Input Current	1.9/1.2 A
7. Input Power	1000/800 W
8. Rated Speed	1350/1200±5% RPM
9. Rotation	Clockwise, seen on rotor
10. Air Flow	8000/6800 m ³ /h
11. Static Air Pressure	600/525 Pa
12. Noise Level	81/76 dB(A)
13. Lead Wire	Variable
14. Connector	NO
15. Ambient temperature	-30~60 ℃
16. Life Expectance	≧ 30,000 hours continuous operating at 20 ℃
17. Insulation class	"F"
18. Type of protection	IP54
19. Number of blades	8
20. Dielectric Strength	1500VAC,60Hz, 2 S, Leakage current <=3.5mA
21. Net Weight	17.0KG
22. Packing	Corrugated carton, pcs/carton

PERFORMANCE CURVES



Connection methods



Product Outline

